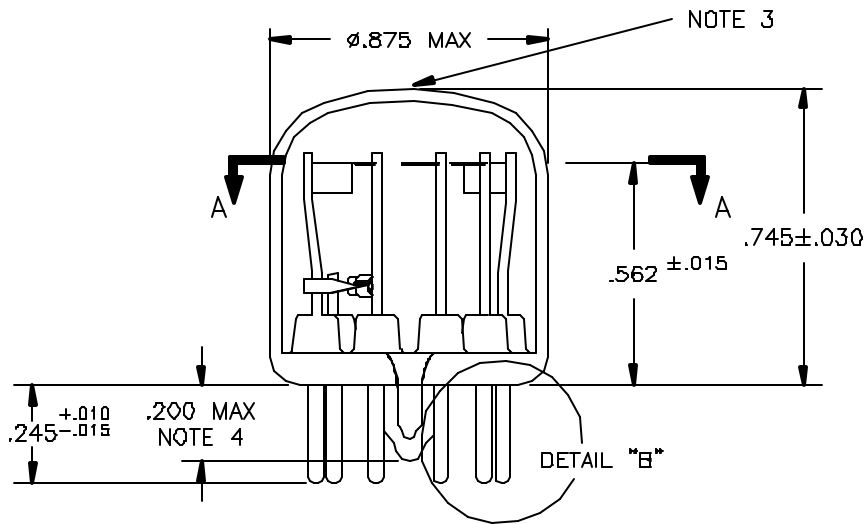
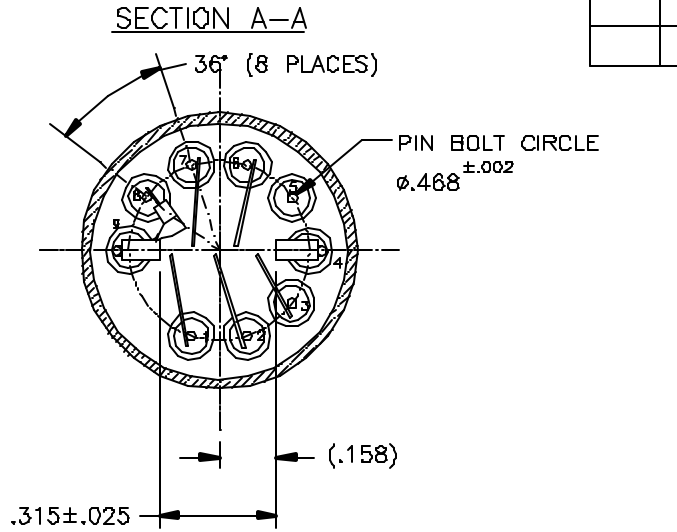


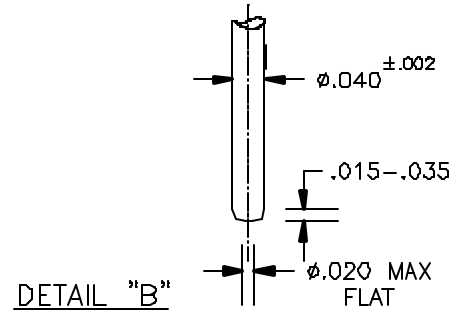
326464


REVISIONS						
ZONE	LTR	DESCRIPTION	DCN #	DR	DATE	APPR
	A	RELEASE.	G0980	TJO	1/13/98	KR
	B	MODIFIED DIMENSIONS & NOTES.	AA0748	DPS	10/25/00	KFR



NOTES:

1. BASE PIN POSITIONS ARE TO BE HELD TO TOLERANCE SUCH THAT THE ENTIRE LENGTH OF PINS WILL WITHOUT UNDUE FORCE PASS INTO AND DISENGAGE FROM A FLAT PLATE GAGE, 1/4" THICK, HAVING TEN HOLES .0520±.0005 DIA., SO LOCATED ON A .4680±.0005 DIA. PIN CIRCLE, THAT THE DISTANCE ALONG THE CORD BETWEEN ANY TWO ADJACENT HOLE CENTERS IS .1446±.0005.
2. THE "SEATED TUBE" MUST FIT INTO A .837±.001 CYLINDRICAL GAGE WHOSE CENTERLINE IS PERPENDICULAR WITHIN 0°5' TO THE FACE OF THE GAGE DESCRIBED IN NOTE 1, AND CENTERED ON ITS PIN CIRCLE WITHIN .004 T.I.R. THE CYLINDER MUST CONTAIN A TIP-OFF CLEARANCE HOLE.
3. A 11/32 DIA. MINIMUM AREA ON THE FACE OF THE ENVELOPE CONCENTRIC WITH THE CENTERLINE OF THE ENVELOPE SHOULD BE OPTICALLY CLEAR WITH MINIMUM DISTORTION.
4. THE GLASS TUBULATION TIP-OFF MUST BE SHORTER THAN THE PINS.



DR T.J. O'DONNELL	1/30/98	MATERIAL: SEE B.O.M.	UNLESS OTHERWISE SPECIFIED: DIMENSIONS ARE IN INCHES TOLERANCES ON FRACTIONS ± 1/64 ANGLES ± 1° 3 PLACE DECIMALS ± .005 2 PLACE DECIMALS ± .01		PerkinElmer 35 Congress Street Salem, MA 01970		
ENG		FINISH SPECS:			TITLE OUTLINE, FX-6A, FX-6B, FX-6P		
QC.		PROPRIETARY REPRODUCTION, USE OR DISCLOSURE TO THIRD PARTIES WITHOUT EXPRESS AUTHORITY IS STRICTLY PROHIBITED		DO NOT SCALE PRINT	F00231C	SIZE A	CAGE CODE NO. 7T714
PROJ ENG				SCALE NTS		DWG NO. 326464	REV. B
PROJ APPR			SHEET 1 OF 1				
SIGNATURES	DATE						